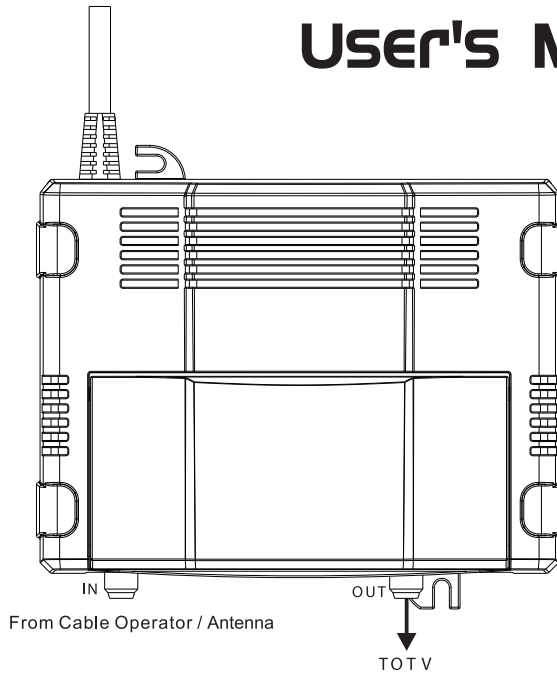


User's Manual



Model:	AAD-260
Frequency Range (MHZ)	5-1000MHz
Gain (dB)	20
Flatness (dB)	± 2
Regulation (dB)	0-20
Impedance	75 Ω
Output Level (dB μ V)	110
Return Loss (dB)	10
Power Supply	AC230V 50Hz
Size	148(L)*143(W)*54(H)mm